

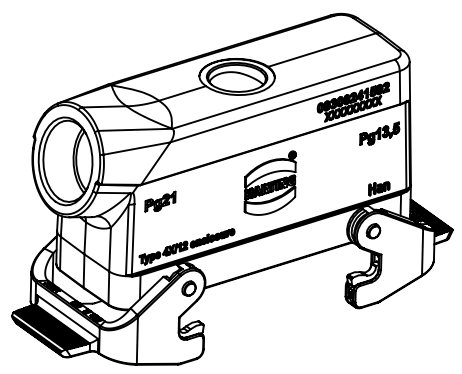
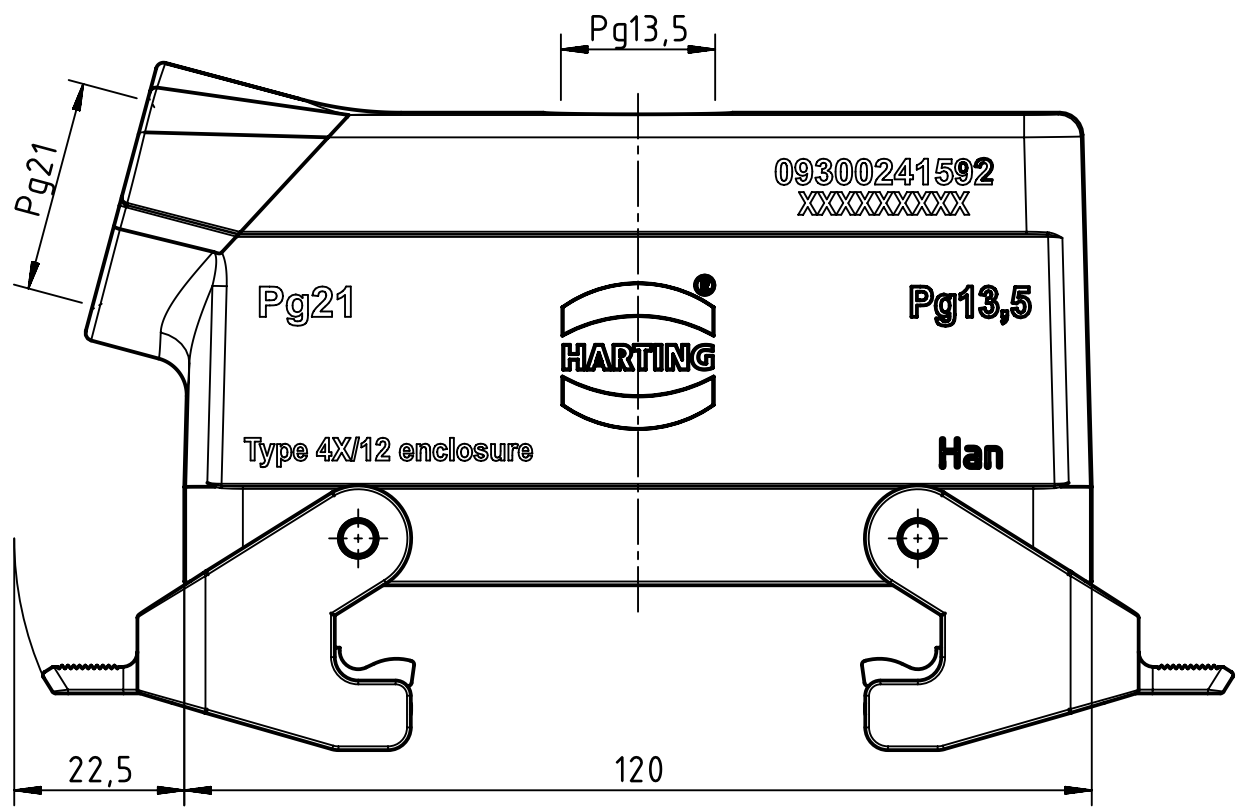
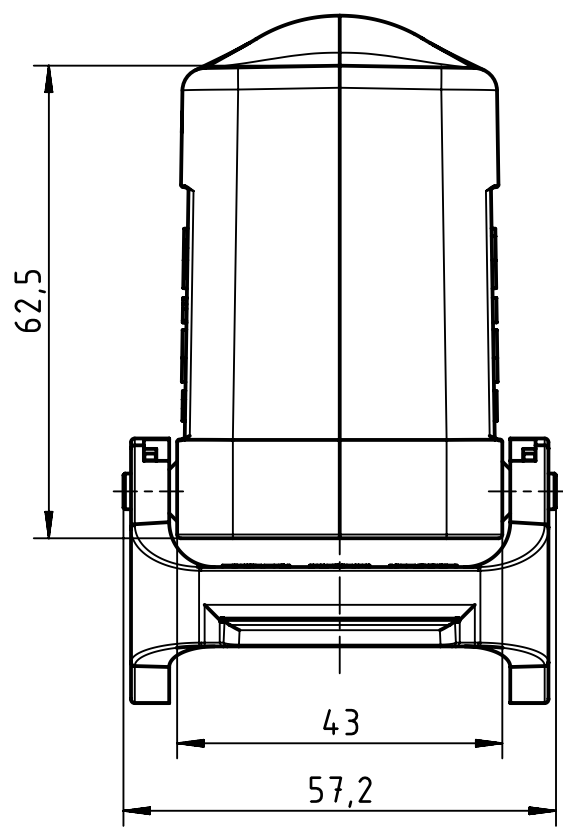
1 2 3 4 5 6

A

B

C

D



	All Dimensions in mm Original Size DIN A4		Scale 1:1	Free size tol.		Ref.		
						Sub.		
	All rights reserved		Created by HELLMANN	Inspected by RIEPE	Standardisation RUETERA	Date 2020-02-19	State Final Release	
	Department EL PD		Title Han 24B-HTE/HSE-LC-DL-Pg13,5/Pg21				Doc-Key / ECM-Nr. 100863670/UGD/004/B 500000166971	
HARTING Electric GmbH & Co. KG D-32339 Espelkamp			Type TB	Number 09 30 024 1592			Rev. B	Page 1/1